

THERMOSHIELD Heat Insulating Mortar

COMPANY INFORMATION

ALLGEMEINE BAU - CHEMIE PHIL., INC.
 Address: 10/F Asian Star Building, 2404 Asean Drive,
 Filinvest City, Alabang, Muntinlupa City 1781 Philippines
 Tel: (+63 2) 88426891 ■ Fax: (+63 2) 88427146 ■ info@abc.ph ■ www.abc.ph

PRODUCT NAME

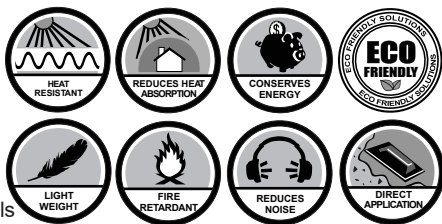
THERMOSHIELD Heat Insulating Mortar

PRODUCT DESCRIPTION

THERMOSHIELD is a high quality heat insulating mortar designed for exterior and interior applications over concrete substrates. Thermoshield has exceptional insulating properties compared to regular mortar. It reduces heat absorption, as well as heat transfer by a total of 140% to achieve & maintain a cooler room temperature. Thermoshield also blocks heat & sound, whereas regular mortar allows heat & sound to penetrate walls and ceilings.

THE THERMOSHIELD ADVANTAGE

- Heat Resistant
- Reduces Heat Absorption
- Conserves Energy
- Reduces Noise
- Fire Retardant
- Light Weight
- Direct Application
- Safe for the environment
- Eco-friendly & Low VOC levels



CLASSIFICATION STANDARD

- ✓ ASTM C195 (USA) American Society for Testing and Materials

TECHNICAL DATA

Bulk density	0.370 kg/L
Mortar density after addition of water	800 - 900 kg/m ³
Compressive strength after 28 days	3.3 N/mm ²
Weight of set mortar	400 - 450 kg/m ³
Thermal conductivity (K)*	0.1028 W/m °C
Over-all heat transfer coefficient (U)*	0.36 W/°C
Resistance value (R)*	2.78 °C/W
Grade	0 / 2 / mm
Coverage (2.5cm application thickness)	2 m ² / 23kg bag
Wall application thickness	2.5 cm
Double wall application thickness	5 cm - 10 cm
Roofdeck application thickness	2.5 cm - 5 cm
Pot life	3 hours
Curing time	14 days
Mixing ratio	16L Water : 23 kg

*Values are based on 2.5cm (1") thick air dried samples.

SURFACE PREPARATION

The surface must be fully cured, structurally stable and level. Make sure the surface is clean and free from contaminants such as dirt, dust, loose material, oils and chemicals. Dampen the concrete surface before Thermoshield application.

Substrate Condition	Surface Preparation
New Concrete	Substrate must have cured for 14 days
Old Concrete (Renovations)	Abrade paint on walls Acid etch polished / waxed floor surfaces
Smooth surface	Apply ABC Scratch Coat

APPLICATION GUIDE

1. Mixing

Use ONLY non-absorbent containers such as plastic pail or a galvanized iron sheet as mixing base. Pour 16L clean water into the mixing base & add 23kg THERMOSHIELD. Stir for 3 - 5 minutes



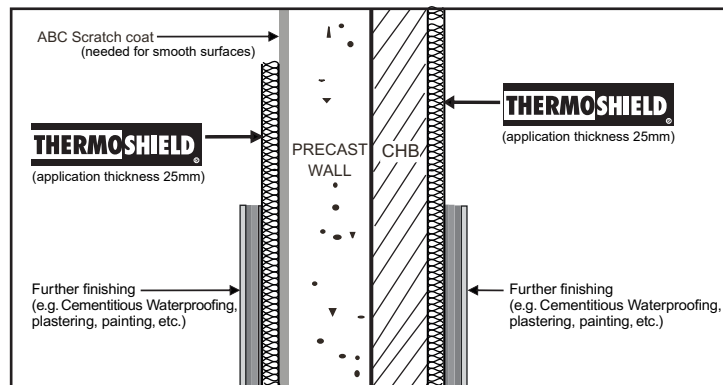
using a mixing torque to attain a lump-free & flowable consistency. Allow mix to stand for 15 minutes and remix briefly before use. **Caution: Use only non-absorbent materials as mixing base** (plastic pail or galvanized iron sheets). If absorbent materials such as plywood, wooden box, gypsum board, fiber cement board or cardboard is used, it will affect the chemical properties of the product, which can result in bonding failure & poor product performance.



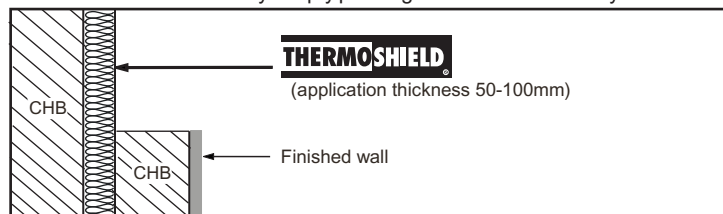
2. Application

- a. **WALL Application** - THERMOSHIELD is directly applied on hollow blocks or on a concrete surface using a steel trowel, just like regular mortar.

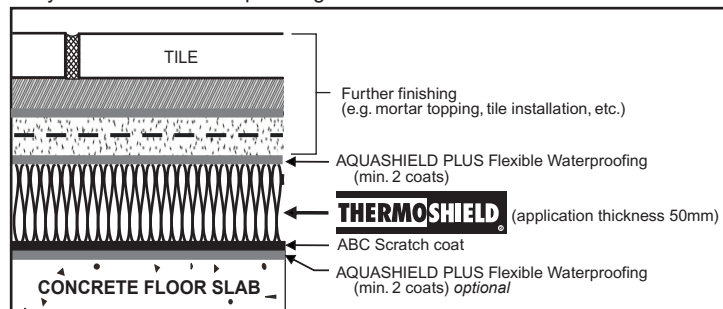
POT LIFE
3 hours



- b. **DOUBLE WALL Application** - THERMOSHIELD can be applied in between 2 CHB walls by simply pouring the mix into the cavity.



- c. **ROOF DECK Application** - THERMOSHIELD can be applied on the concrete slab after applying ABC Scratch Coat and should be protected by cementitious waterproofing.



3. Finishing

For **Wall Applications**, ZEMCOAT Skimcoat is recommended to be applied on top of THERMOSHIELD after 7 days curing, before applying paint or wallpaper.

For **Roof Deck Applications**, Aquashield Plus Cementitious Waterproofing must be applied prior to protect and seal THERMOSHIELD. Refer to sectional detail C for proper application.

Note: During the final process of curing, protect the initial and final layers by damp curing with burlap or polyethylene sheets to avoid direct sunlight for 2 days.

PACKAGING

23kg multilayer paperbag

STORAGE & SHELF LIFE

When stored in a cool dry place & in its original unopened packaging, Thermoshield Heat Insulating Mortar will remain usable 9 months from date of manufacture.

WARRANTY

Due to variety of applications, different working methods and the various properties of bases, we cannot assume responsibility or liability with regard to the application of our products. Our guarantee and liability are restricted to the quality of our products at the time of acceptance of the customer of such products. In no case shall our liability extend beyond replacement of defective products, if any, found at the time of acceptance. For all deliveries and services, our General Sales Condition including warranties stipulated for each case are valid.