

MANUFACTURER

ALLGEMEINE BAU - CHEMIE PHIL., INC.
 Address: 10th Floor Asian Star Building, 2404 Asean Drive,
 Filinvest Corporate City, Alabang, Muntinlupa City 1781 Philippines
 Tel: (+63 2) 8426891 ■ Fax: (+63 2) 8427146 ■ info@abc.ph ■ www.abc.ph

PRODUCT NAME

ABC TILE ADHESIVE Heavy-Duty

PRODUCT DESCRIPTION

ABC TILE ADHESIVE Heavy-Duty is a cement-based adhesive designed for bonding all types of tiles for floor & wall tile installations. Application areas include indoor & outdoor concrete surfaces using the thinbed method. **ABC TILE ADHESIVE HEAVY-DUTY is primarily used for low porosity tiles, glass mosaic tiles, stoneware & all types of large format tiles. It is highly recommended for outdoor tiling, pool & water features & all heavy-foot traffic areas.**

THE ABC TILE ADHESIVE HEAVY-DUTY ADVANTAGE

- ✓ Extra Strong
- ✓ High Tensile Strength
- ✓ Flexible
- ✓ Thermal Deformability
- ✓ High Shear Strength
- ✓ Fast & Easy Installation
- ✓ Professional Finish
- ✓ Economical



COLORS

Gray & White

CLASSIFICATION STANDARD

- ✓ ANSI A118.1 (USA) American National Standards Institute
- ✓ EN 12004 : 2000 (EU) European Standard
- ✓ PNS ISO 13007 - 1:2005 Type C2 (PH) Philippine National Standards

TECHNICAL DATA

Physical Test	PNS ISO 13007-1:2005	Results
Water demand	Not Applicable	20 ml / 100 g
Workability	Not Applicable	Very Good
Open time	≥ 20 minutes	20 minutes
Pot life	Not Applicable	4 hours
Standing strength	Not Applicable	Very Good
Slip resistance	≤ 5 mm	0 mm
Tensile adhesion strength	≥ 1.0 N/mm ²	2.5 N/mm ²
Tensile adhesion strength after water immersion	≥ 1.0 N/mm ²	2.0 N/mm ²

COVERAGE

25kg TILE ADHESIVE HEAVY-DUTY = 4m²

Note: Calculation is based on 30 x 30 cm tiles. Coverage is dependent on tile size, substrate condition and application thickness. The bigger the tile, the smaller the coverage area.

SURFACE PREPARATION

The surface must be fully cured, structurally stable & level. Make sure the surface is clean and free from contaminants such as dirt, dust, loose material, oils and chemicals. If needed, acid etch the surface area to be applied (e.g. on existing polished or waxed floors).

APPLICATION GUIDE

1. Mixing

Use ONLY non-absorbent materials such as plastic pail or galvanized iron sheet as mixing base. Pour water into container and add ABC TILE ADHESIVE Heavy-Duty powder. Stir to attain a smooth, lump-free and pasty consistency. Let it rest for 15 minutes and restir briefly before use.

POT LIFE

4 hours

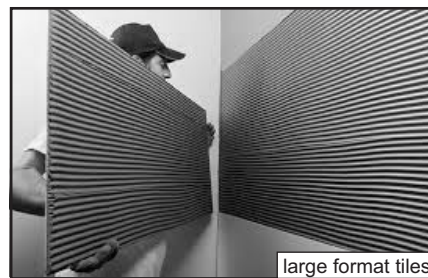
Mixing Ratio

8L **+ 25kg** **TILE ADHESIVE HEAVY-DUTY**



2. Application

Dampen surface before application. Use a notched trowel to spread mortar evenly over an area of 1m² at a time to produce a ribbed thinbed. For large format tiles or stoneware, apply tile adhesive mortar at the back of the tile or stone before installation.



Tile Size	Notched Trowel Size
mosaic tiles	3 x 3 mm
small to medium tiles (60 x 60cm & smaller)	6 x 6 mm
large format tiles (bigger than 60 x 60cm)	6 x 10 mm

3. Installation

Open Time



Install tiles within the open time. Adjust and align tiles. Use a rubber mallet to apply

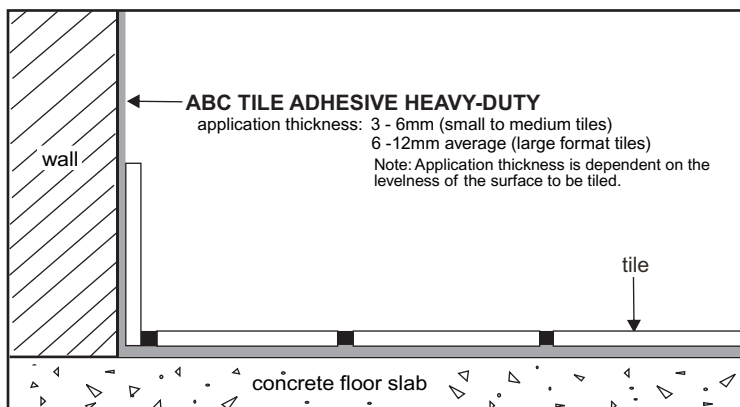


pressure on the tiles.

NOTE: Do random checks if the back of the tiles are fully covered with tile adhesive. Check if tile adhesive mortar still adheres to your finger to find out if the open time has not lapsed. If open time has lapsed, DO NOT add newly prepared tile adhesive to a previously mixed batch. Remove old tile adhesive layer and reapply a new one to avoid bonding failure.

TIP: Use tile spacers for uniform grout lines. A tile joint width is needed to accommodate possible tile movement due to thermal deformation, substrate shrinkage or tile expansion, thus preventing the tile from cracking.

SECTIONAL DETAIL



PACKAGING

5 kg and 25 kg bag

STORAGE & SHELF LIFE

Store in a cool dry place. ABC Tile Adhesive Heavy-Duty will remain usable one year from date of manufacture.

WARRANTY

Due to variety of applications, different working methods and the various properties of bases, we cannot assume responsibility or liability with regard to the application of our products. Our guarantee and liability are restricted to the quality of our products at the time of acceptance of the customer of such products. In no case shall our liability extend beyond replacement of defective products, if any, found at the time of acceptance. For all deliveries and services, our General Sales Condition including warranties stipulated for each case are valid.

